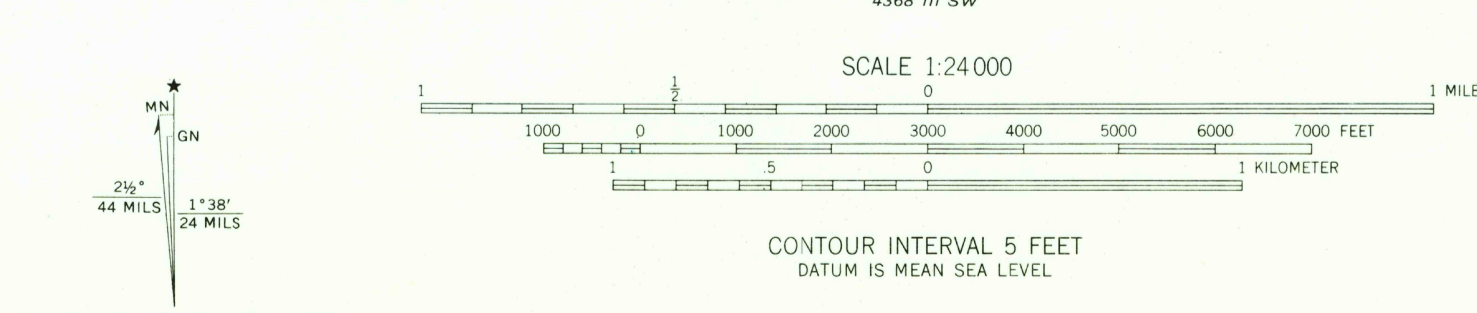


Mapped, edited, and published by the Geological Survey
Control by USGS and USC&GS
Culture and drainage in part compiled from aerial photographs
Topography by plane-table surveys 1940. Culture revised 1952
Polyconic projection. 1927 North American datum
10,000-foot grid based on Michigan coordinate system,
east zone
1000-meter Universal Transverse Mercator grid ticks,
zone 17, shown in blue



USGS
Historical File
Topographic Division

ROAD CLASSIFICATION	
Heavy-duty	4 LANE 6 LANE
Medium-duty	2 LANE 6 LANE
Light-duty	Unimproved dirt

U.S. Route State Route

BELLEVILLE, MICH.
NW/4 ROMULUS 15' QUADRANGLE
N4207.5-W8322.5/7.5

1952
AMS 4368 III NW-SERIES W862

JUN 2 8 1965
JUN 2 8 1965
2595
U.S.G.S.
FILE COPY
TOPOGRAPHIC DIVISION

THIS MAP COMPLIES WITH NATIONAL MAP ACCURACY STANDARDS
FOR SALE BY U.S. GEOLOGICAL SURVEY, WASHINGTON, D. C. 20242
A FOLDER DESCRIBING TOPOGRAPHIC MAPS AND SYMBOLS IS AVAILABLE ON REQUEST