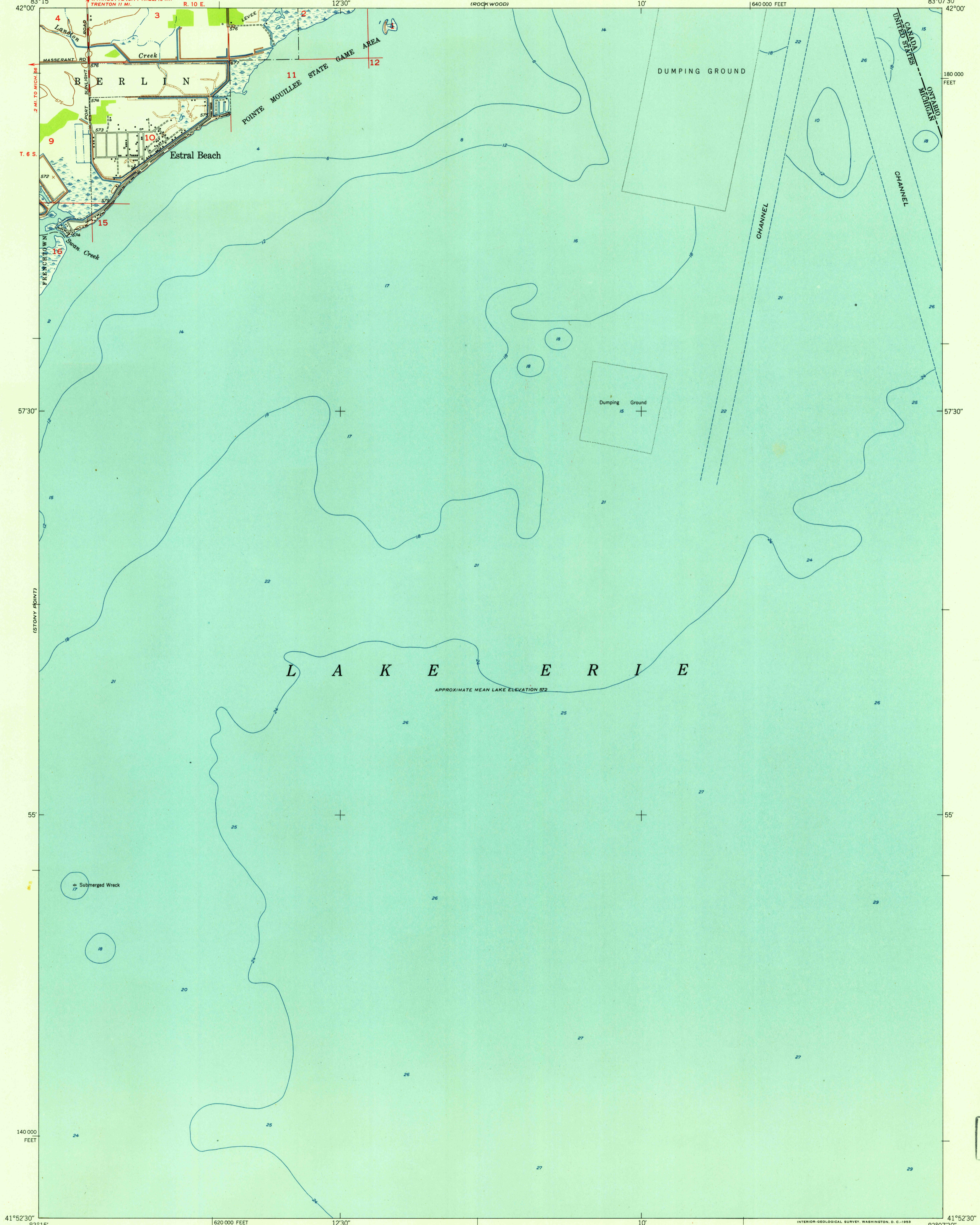


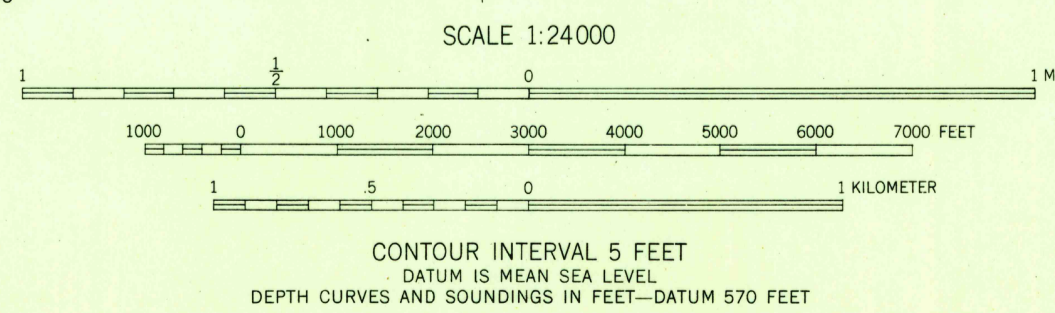
U.S.G.S.  
**FILE COPY**  
Inspection and Editing

U.S.G.S.  
1922-23



Mapped, edited, and published by the Geological Survey  
Culture and drainage in part compiled from aerial photographs  
Topography by plane-table surveys 1940. Culture revised 1952  
Hydrography from U.S. Lake Survey Chart 37 (1:80,000)  
Polyconic projection. 1927 North American datum  
10,000-foot grid based on Michigan coordinate system,  
east zone

24°  
TRUE NORTH  
MAGNETIC NORTH  
APPROXIMATE MEAN  
DECLINATION, 1952



USGS  
Historical File  
Topographic Division



ROAD CLASSIFICATION  
Heavy-duty 4 LANE 16 LANE Light-duty  
Medium-duty 4 LANE 16 LANE Unimproved dirt  
U.S. Route State Route

ESTRAL BEACH, MICH.  
N4152.5-W8307.5/7.5

1952

THIS MAP COMPLIES WITH NATIONAL MAP ACCURACY STANDARDS  
FOR SALE BY U. S. GEOLOGICAL SURVEY, WASHINGTON 25, D. C.  
A FOLDER DESCRIBING TOPOGRAPHIC MAPS AND SYMBOLS IS AVAILABLE ON REQUEST

U.S.G.S.  
**FILE COPY**  
Inspection and Editing

NOV 20 1953

1690