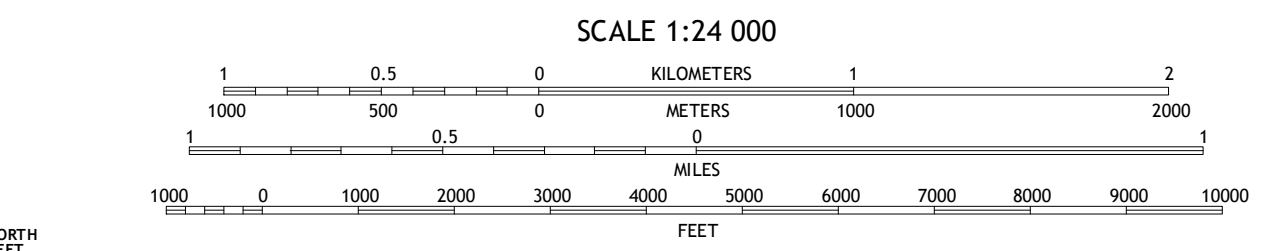
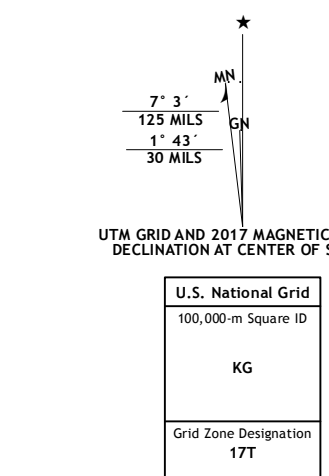


Produced by the United States Geological Survey
North American Datum of 1983 (NAD83)
World Geodetic System of 1984 (WGS84). Projection and
1 000-meter grid: Universal Transverse Mercator, Zone 17T
10 000-foot ticks: Michigan Coordinate System of 1983 (south
zone)

This map is not a legal document. Boundaries may be
generalized for this map scale. Private lands within government
reservations may not be shown. Obtain permission before
entering private lands.

Imagery.....N.A.I.P., October 2014
Roads.....U.S. Census Bureau, 2015 - 2016
Names.....U.S. Census Bureau, 2015 - 2016
Hydrography.....National Hydrography Dataset, 2014
Contours.....National Elevation Dataset, 2011
Boundaries.....Multiple sources; see metadata file 1972 - 2016
Public Land Survey System.....BLM, 2016
Wetlands.....FWS National Wetlands Inventory 1977 - 2014



ROAD CLASSIFICATION

Expressway	Local Connector
Secondary Hwy	Local Road
Ramp	4WD
Interstate Route	US Route
	State Route

ADJOINING QUADRANGLES

1	2	3
4	5	6
7	8	

1 Milan
2 Maybee
3 Carleton
4 Dundee
5 Monroe
6 Lambertville West
7 Lambertville East
8 Erie

IDA, MI
2017

