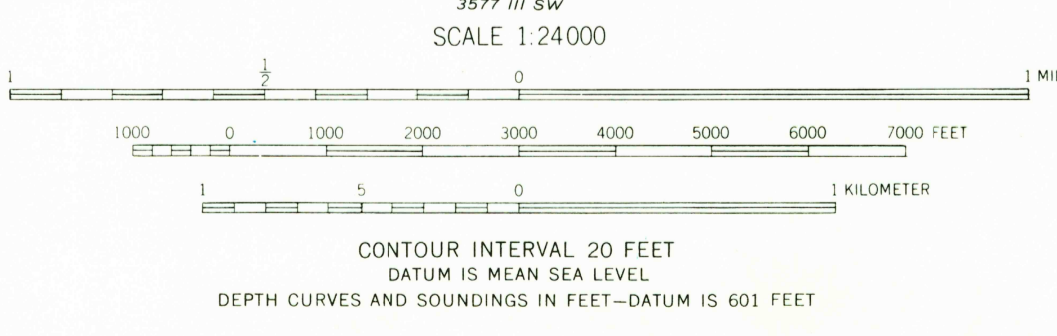
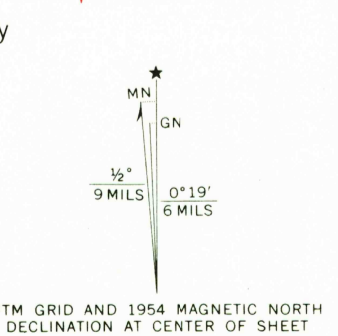


Maped, edited, and published by the Geological Survey  
Control by USGS, USC&GS, and U. S. Lake Survey  
Topography from aerial photographs by multiplex methods  
Aerial photographs taken 1951. Field check 1953  
Hydrography from U.S. Lake Survey Chart 93 (1:120 000)  
Polyconic projection. 1927 North American datum  
10,000-foot grid based on Michigan coordinate system,  
west zone  
1000-meter Universal Transverse Mercator grid ticks,  
zone 16, shown in blue



ROAD CLASSIFICATION

Heavy-duty	4 LANE 16 LANE	Light-duty	2 LANE 16 LANE
Medium-duty	4 LANE 16 LANE	Unimproved dirt	=====

U. S. Route      State Route

MICHIGAN  
QUADRANGLE LOCATION

THIS MAP COMPLIES WITH NATIONAL MAP ACCURACY STANDARDS  
FOR SALE BY U. S. GEOLOGICAL SURVEY, WASHINGTON, D. C. 20242  
A FOLDER DESCRIBING TOPOGRAPHIC MAPS AND SYMBOLS IS AVAILABLE ON REQUEST

MARQUETTE NW, MICH.  
NW 1/4 MARQUETTE 15' QUADRANGLE  
N4637.5-W8722.5/7.5  
1953  
AMS 3577 III NW-SERIES V862

JUL 3 1972  
1855  
USGS  
HISTORICAL FILE  
TOPOGRAPHIC DIVISION