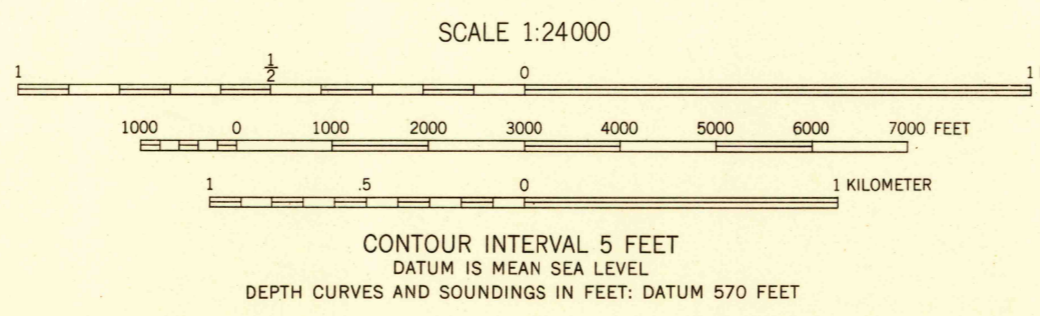


U.S.G.S.
FILE COPY
TOPOGRAPHIC DIVISION

U.S.G.S.
FILE COPY
TOPOGRAPHIC DIVISION

Mapped, edited, and published by the Geological Survey
Control by USGS, USC&GS, and USCE
Culture and drainage in part compiled from aerial photographs
Topography by plane-table surveys 1940. Culture revised 1952
Hydrography from US Lake Survey Chart 41 (1:30,000)
Polyconic projection. 1927 North American datum
10,000-foot grid based on Michigan coordinate system,
east zone
Dashed land lines indicate approximate locations



USGS
Historical File
Topographic Division

ROAD CLASSIFICATION
Heavy-duty — 4 LANE 16 LANE Light-duty —
Medium-duty — 4 LANE 16 LANE Unimproved dirt —
U. S. Route State Route



ROCKWOOD, MICH.
SW/4 WYANDOTTE 15' QUADRANGLE
N4200—W8307.5/7.5

1952

THIS MAP COMPLIES WITH NATIONAL MAP ACCURACY STANDARDS
FOR SALE BY U. S. GEOLOGICAL SURVEY, WASHINGTON 25, D. C.
A FOLDER DESCRIBING TOPOGRAPHIC MAPS AND SYMBOLS IS AVAILABLE ON REQUEST

MAR 12 1954

3200