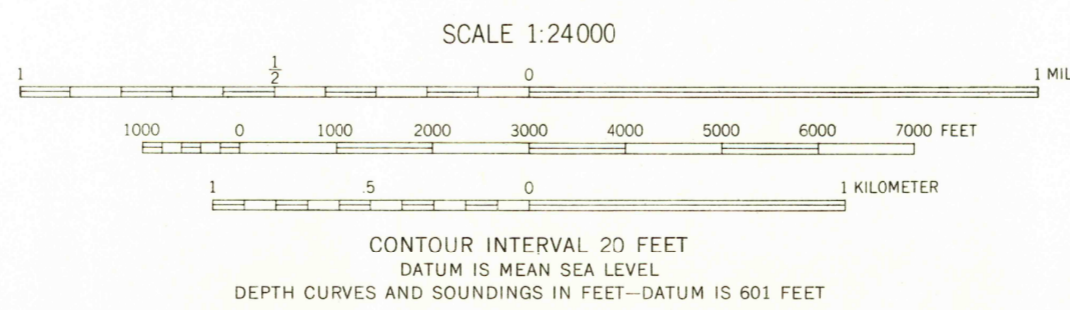


U.S.G.S.
FILE COPY
TOPOGRAPHIC DIVISION

Mapped, edited, and published by the Geological Survey
Control by USGS and USC&GS
Topography from aerial photographs by Kelsch plotter
Aerial photographs taken 1951. Field check 1954
Hydrography from U. S. Lake Survey Chart 94 (1:120 000)
Polyconic projection. 1927 North American datum
10,000-foot grid based on Michigan coordinate system,
west zone

TRUE NORTH
MAGNETIC NORTH
APPROXIMATE MEAN
DECLINATION, 1954



USGS
Historical File
Topographic Division

ROAD CLASSIFICATION

Heavy-duty	4 LANE 16 LANE	Light-duty
Medium-duty	4 LANE 16 LANE	Unimproved dirt

U. S. Route State Route



TRAVERSE ISLAND, MICH.
N 4700—W 8815/7.5
1954

U.S.G.S.
FILE COPY
TOPOGRAPHIC DIVISION