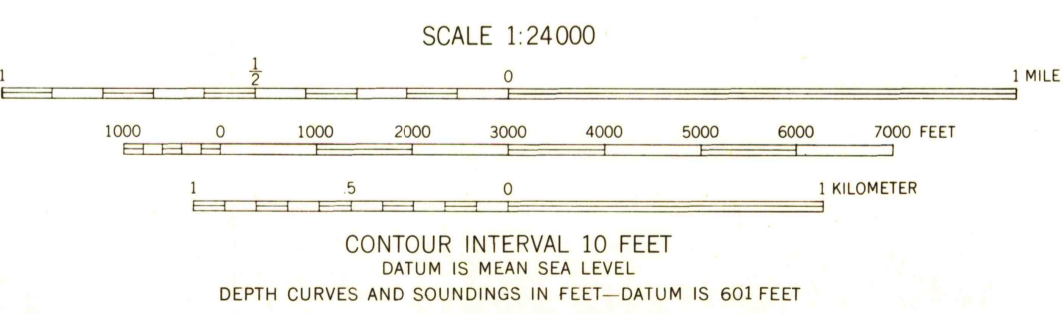
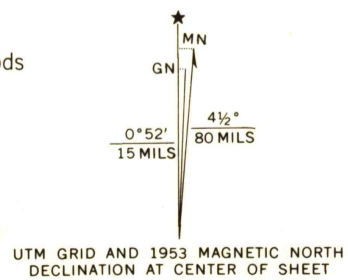


UNITED STATES
DEPARTMENT OF THE INTERIOR
GEOLOGICAL SURVEY

KNIFE RIVER QUADRANGLE
MINNESOTA
7.5 MINUTE SERIES (TOPOGRAPHIC)



Mapped, edited, and published by the Geological Survey
Control by USGS and USC&GS
Topography from aerial photographs by photogrammetric methods
Aerial photographs taken 1952. Field check 1953
Hydrography from U. S. Lake Survey Chart 96, (1:120,000)
Polyconic projection. 1927 North American datum
10,000-foot grid based on Minnesota coordinate system,
north zone
1000-meter Universal Transverse Mercator grid ticks,
zone 15, shown in blue



ROAD CLASSIFICATION

Heavy-duty	4 LANE 16 LANE	Light-duty	2 LANE 16 LANE
Medium-duty	4 LANE 16 LANE	Unimproved dirt	=====

U.S. Route State Route

QUADRANGLE LOCATION

USGS
 Historical File
 Topographic Division

THIS MAP COMPLIES WITH NATIONAL MAP ACCURACY STANDARDS
FOR SALE BY U.S. GEOLOGICAL SURVEY, DENVER, COLORADO 80225 OR WASHINGTON, D. C. 20242
A FOLDER DESCRIBING TOPOGRAPHIC MAPS AND SYMBOLS IS AVAILABLE ON REQUEST

KNIFE RIVER, MINN.
N4652.5—W9145/7.5
1953
AMS 7677 IV NE—SERIES V872

2640
JAN 21 1965
U.S.G.S.
FILE COPY
TOPOGRAPHIC DIVISION