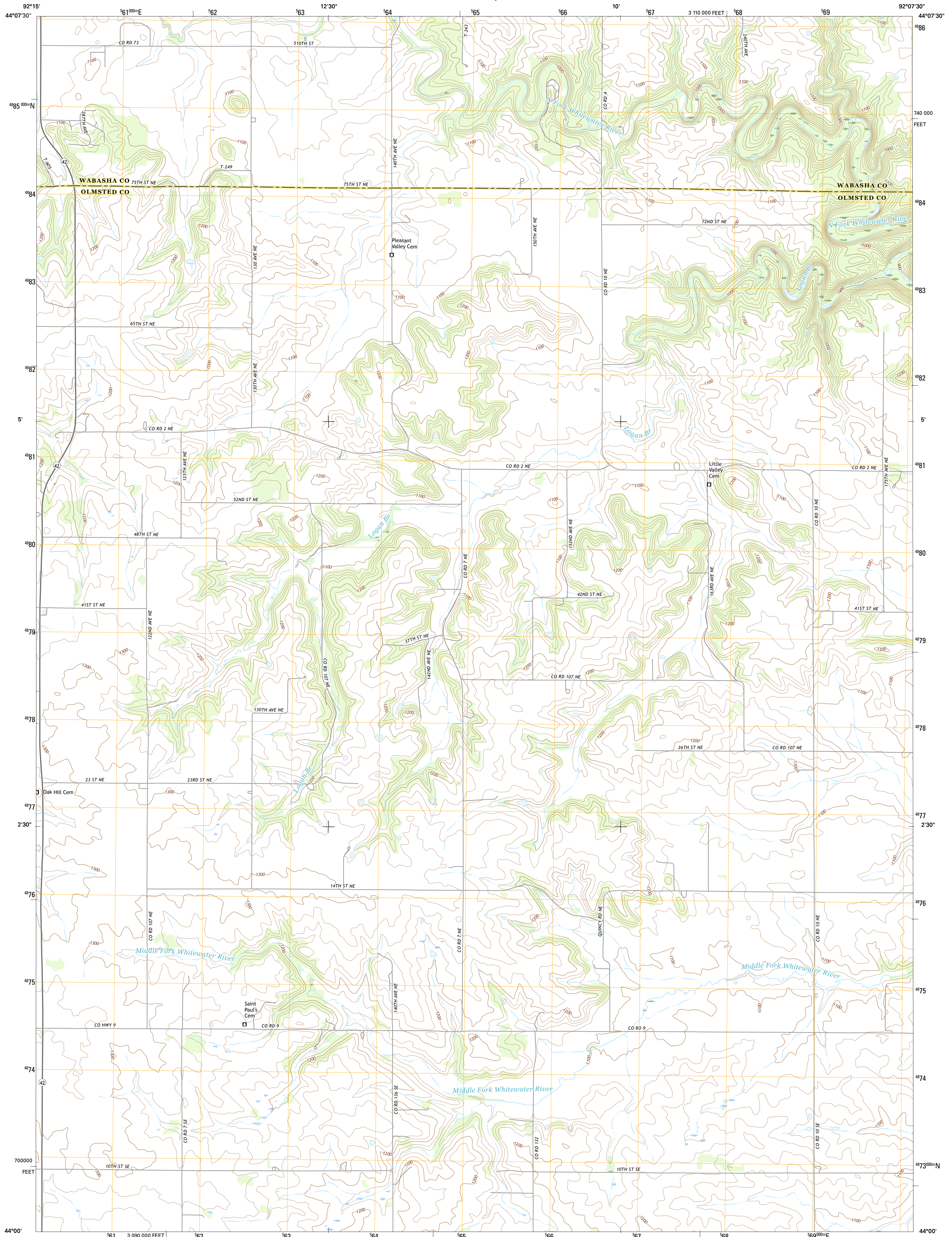




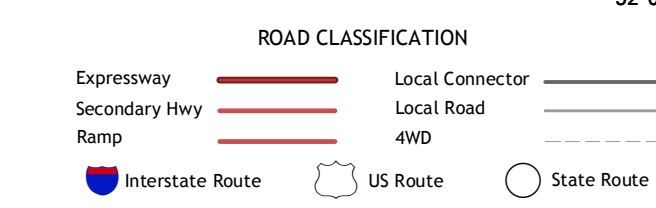
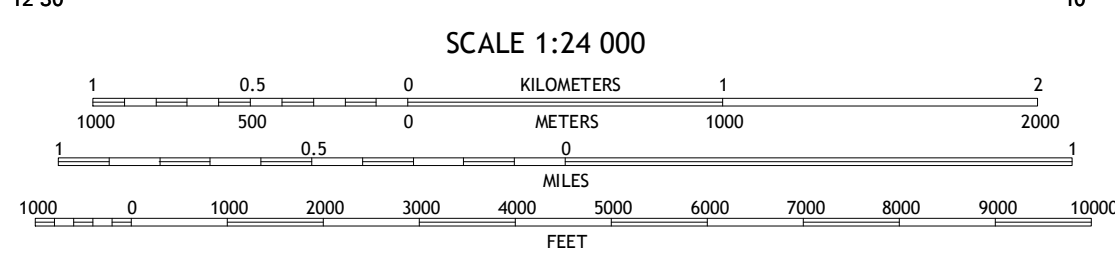
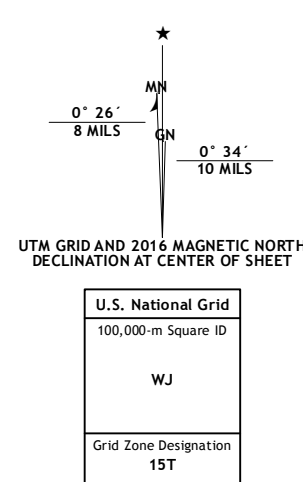
U.S. DEPARTMENT OF THE INTERIOR
U.S. GEOLOGICAL SURVEY



PLAINVIEW SW QUADRANGLE
MINNESOTA
7.5-MINUTE SERIES



Produced by the United States Geological Survey
North American Datum of 1983 (NAD83)
World Geodetic System of 1984 (WGS84). Projection and
1 000-meter grid: Universal Transverse Mercator, Zone 15T
10 000-foot ticks: Minnesota Coordinate System of 1983 (south
zone)
This map is not a legal document. Boundaries may be
generalized for this map scale. Private lands within government
reservations may not be shown. Obtain permission before
entering private lands.
Imagery.....NAIP, July 2013
Roads.....U.S. Census Bureau, 2015 - 2016
Names.....GNIS, 2016
Hydrography.....National Hydrography Dataset, 2013
Contours.....National Elevation Dataset, 1998
Boundaries.....Multiple sources; see metadata file 1972 - 2016
Public Land Survey System.....BLM, 2014
Wetlands.....FWS National Wetlands Inventory 1977 - 2014



1	2	3
4	5	6
7	8	9

ADJOINING QUADRANGLES

1 Millville
2 Plainview
3 Beaver
4 Chester
5 Elba
6 Marion
7 Eyota
8 Saint Charles

PLAINVIEW SW, MN
2016

